

NORMBAU

PASSION FOR CARE

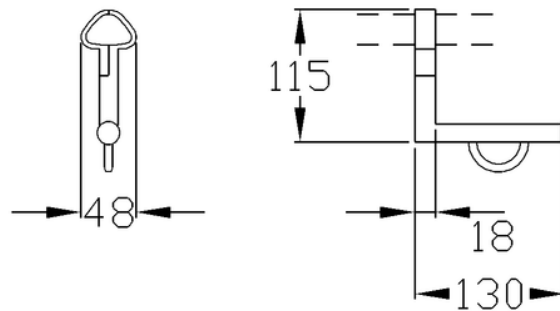
Cavere Toilet roll holder 7449110, to be added at a later stage, 130 x 115mm




Cavere® paper roll holder,

130 x 115mm, made of Aluminium, scratch-resistant powder coating with antibacterial protection, available in the Cavere® colour range. Can be added at a later stage, with self-adjusting maintenance-free roll brake.

Supplied with mounting materials.

Product code	7449110
Product group	7000



	Carbon black (091)
	Cavere® white (092)
	Satin beige (093)
	Cavere® Anthrazit Metallic (095)
	Cavere® Silber Metallic (096)

NORMBAU GmbH
 Schwarzwaldstraße 15
 77871 Renchen/Germany
 Telefon +49(0)7843 / 704 - 0
 Telefax +49(0)7843 / 704 - 43
 www.normbau.de · normbau@allegion.com

